

2364 Haines Rd., Unit 20-21 Mississauga, Ontario Canada

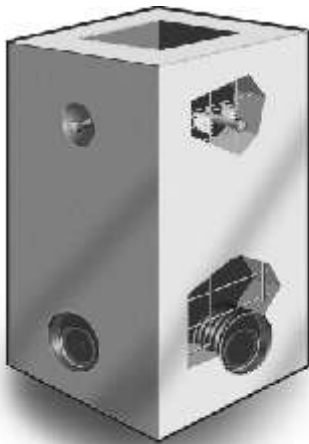
Plastic Subdrain Coupler

Stepcon has designed a specialized insert for standard 4 1/2" concrete wall catch basin.

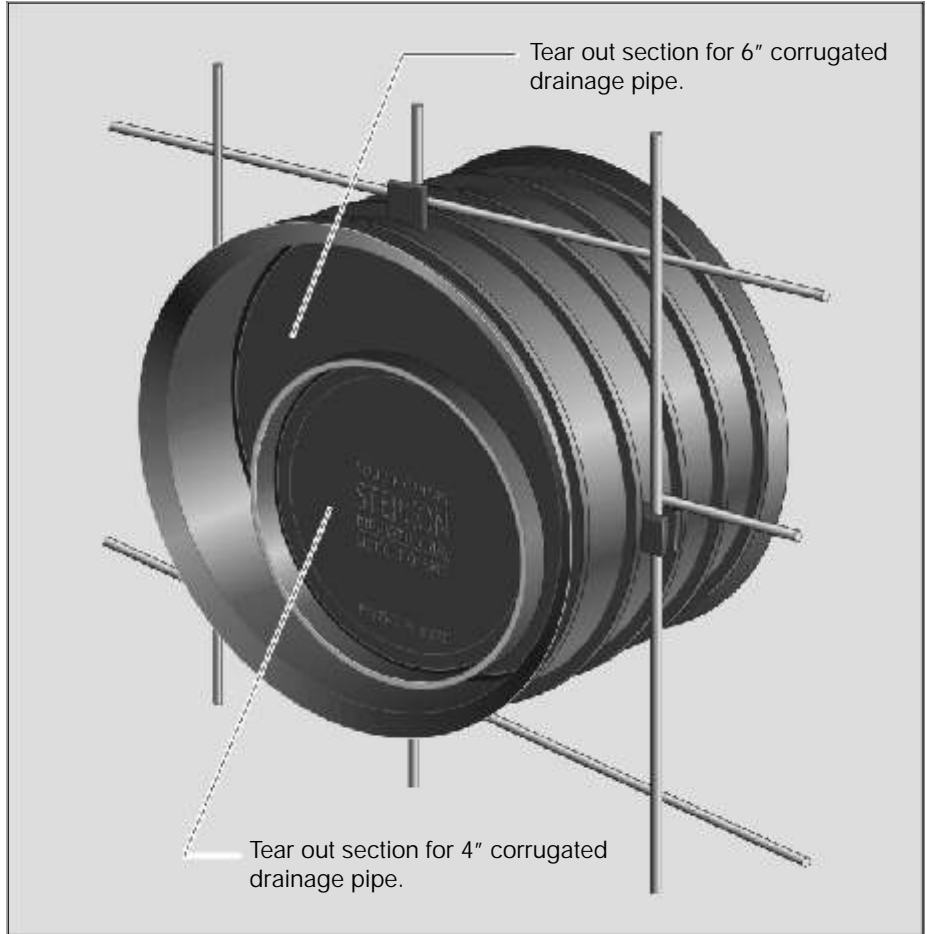
Tear out section for 4" & 6" corrugated drainage pipe.

No need to knock out & grout. Press fit cap available to prevent "ovaling-out" quick installation to standard reinforcing wire.

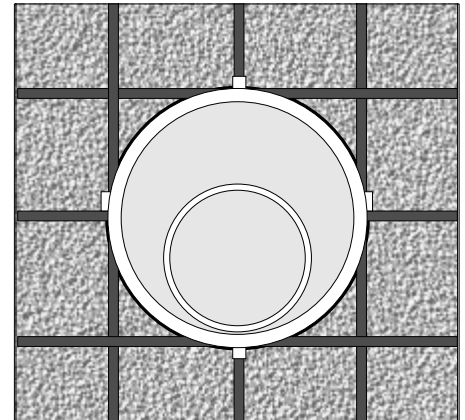
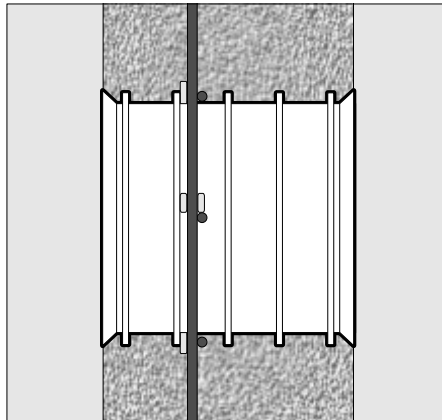
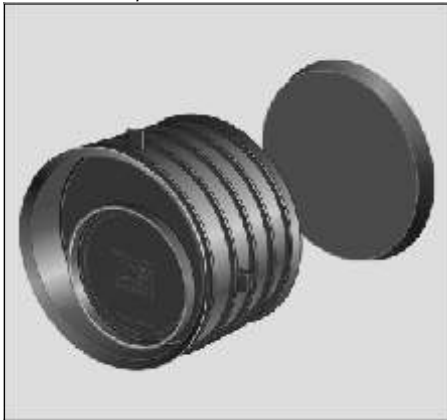
Application



Subdrain Coupler MODEL NO. 5500



Subdrain Cap MODEL NO. 5501



MODEL NO.	DESCRIPTION	CAGE SIZE	CORRUGATED PIPE	STD. PACK
5500	Plastic subdrain coupler	4" x 4" W2.9"	4" & 6"	360
5501	Plastic subdrain cap	-	-	50