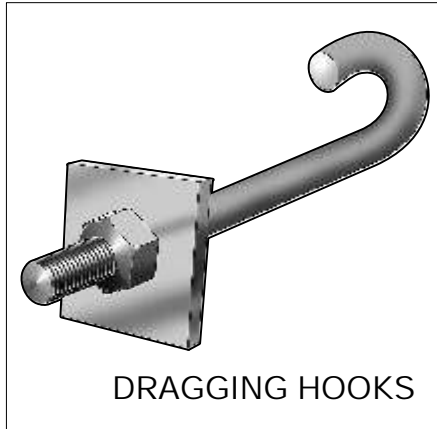


2364 Haines Rd., Unit 20-21 Mississauga, Ontario Canada

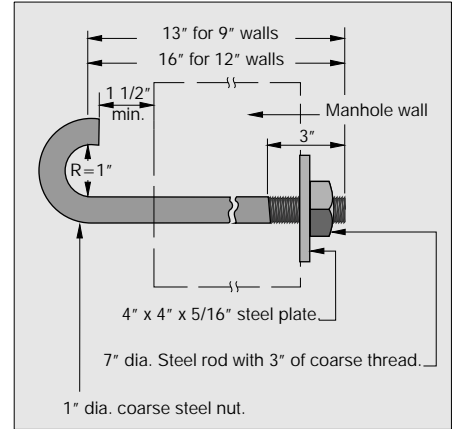
Dragging Hooks

Type 6070 = 13" long
Type 6071 = 16" long
Hot dip galvanized as per CSA-G-164

Dragging Hooks Type 6070 = 13" long Type 6071 = 16" long



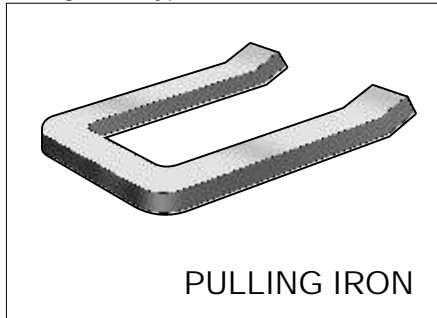
DRAGGING HOOKS



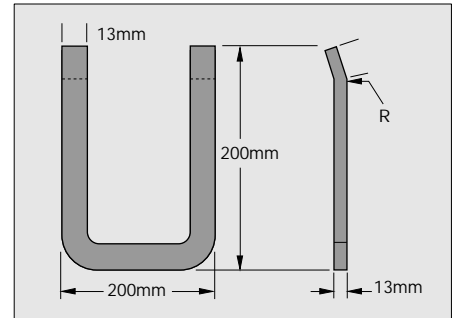
Pulling Irons

Type 6080
Pulling Iron (shown) material to be 13mm x 25mm bar CSA-G-40.21-44N.
Hot dip galvanized as per CSA-G-164.

Pulling Irons Type 6080



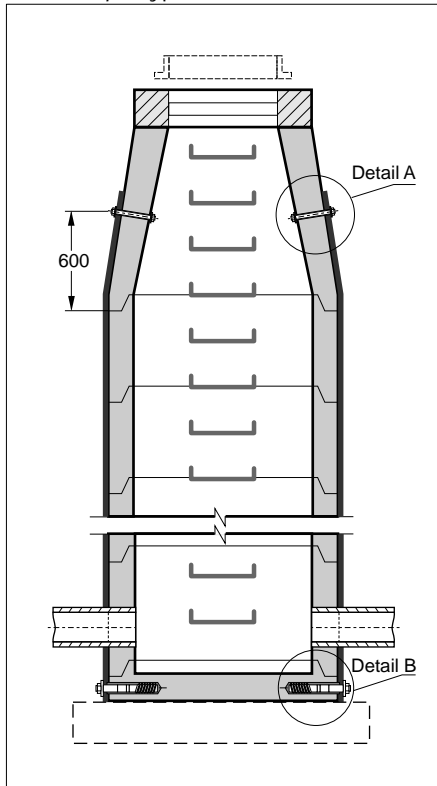
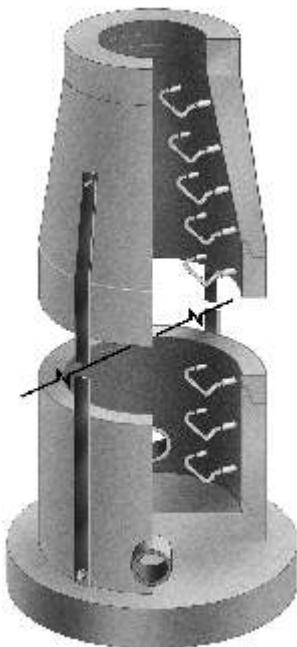
PULLING IRON



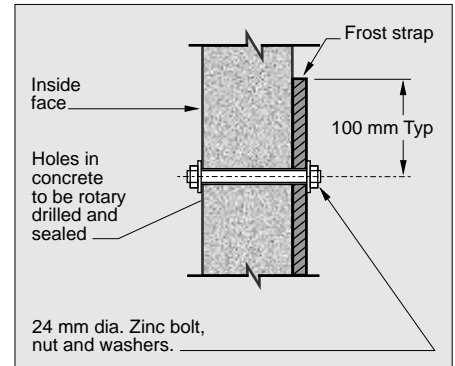
Frost Straps

Type 9006
Steel 44W cut to length with punched holes and galvanized as per CSA-G.164M

Frost Straps Type 9006



Detail A



Detail B

